

MONITOR / SOCKET/ METER: 3 PHASE POWER MONITOR

PURIWELL (GLOBAL)



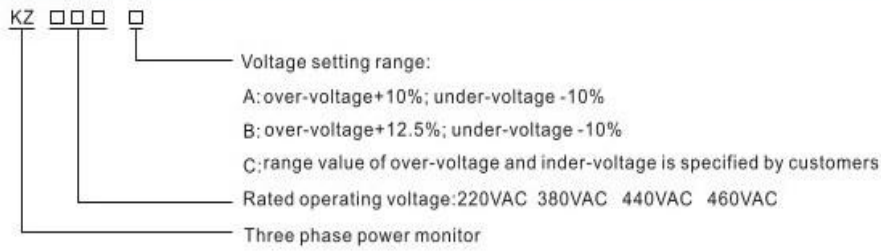
Feature:

- ✓ Over voltage protection
- ✓ Under voltage protection
- ✓ Loss phase protection
- ✓ Reverse phase protection
- ✓ Three phase imbalance protection

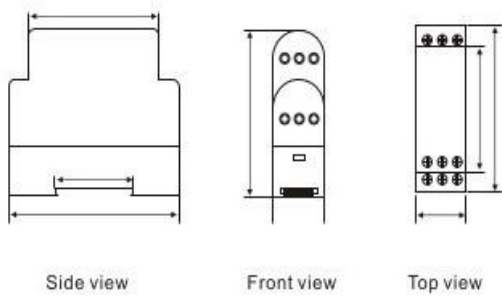
Product Parameter:

- ✓ Over- voltage protection, under voltage protection, loss phase protection , reverse phase protection , three-phase imbalance protection . Note: over voltage and under voltage for about 4-7 seconds action phase: reverse phase protection action for about 1-2 seconds.
- ✓ This product is suitable for all kinds of power motors voltage and phase protection and do specify if not meet our certain function mentioned.
- ✓ Voltage range : three phases 380 +/- 20%.
- ✓ Output contact: Capacity: 250VAC 6A 30VDC 30A
- ✓ Working temperature: -20 to +70 degree Celsius .
- ✓ Relatively humidity: 45-85% RH
- ✓ Frequency: 50/60HZ
- ✓ Contact form : DPDT
- ✓ Size: 79mmx23mmx79mm

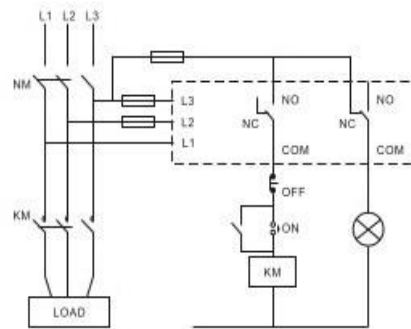
Model name



Installation dimensions



Wiring diagram



Warning! this product shall not be installed on the output side of the inverter current

Typical Voltage range Chart

Type	Rated voltage(V)	Over voltage setting	Under voltage setting
KZ-220	220	253	187
KZ-220A	220	242	198
KZ-220B	220	248	198
KZ-220C	220	The customer designated	The customer designated
KZ-380	380	437	323
KZ-380A	380	418	342
KZ-380B	380	428	342
KZ-380C	380	The customer designated	The customer designated
KZ-440	440	506	374
KZ-440A	440	484	396
KZ-440B	440	495	396
KZ-440C	440	The customer designated	The customer designated
KZ-460	460	529	391
KZ-460A	460	506	414
KZ-460B	460	518	414
KZ-460C	460	The customer designated	The customer designated

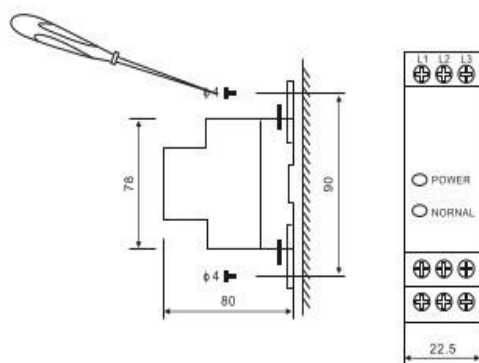
PURIWELL (GLOBAL)



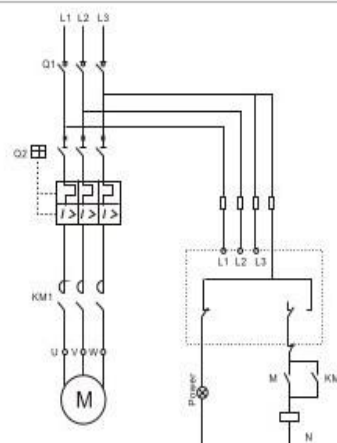
Main technical parameters

- ◆ Rated Insulation Voltage. U_i :500V AC
- ◆ Rated operating volt U_e / Rated operating current I_e :AC-15:2A/250VDC-13:2A/24V
- ◆ Shell protection degree :IP20
- ◆ Rated short circuit current test fuse model: NT00-4.
- ◆ Control power voltage: 200-500V AC

Installation and size dimension



Wiring diagram



Quality commitment

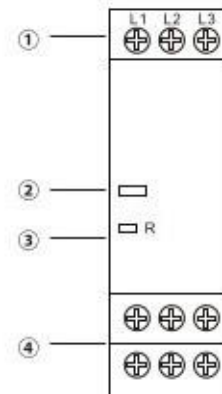
- ◆ Quality Assurance period: 12 months.
- ◆ Free of Charge for warranty product
- ◆ We are free of claims if any misuse by users to cause product misperformance or damage .

PURIWELL (GLOBAL)



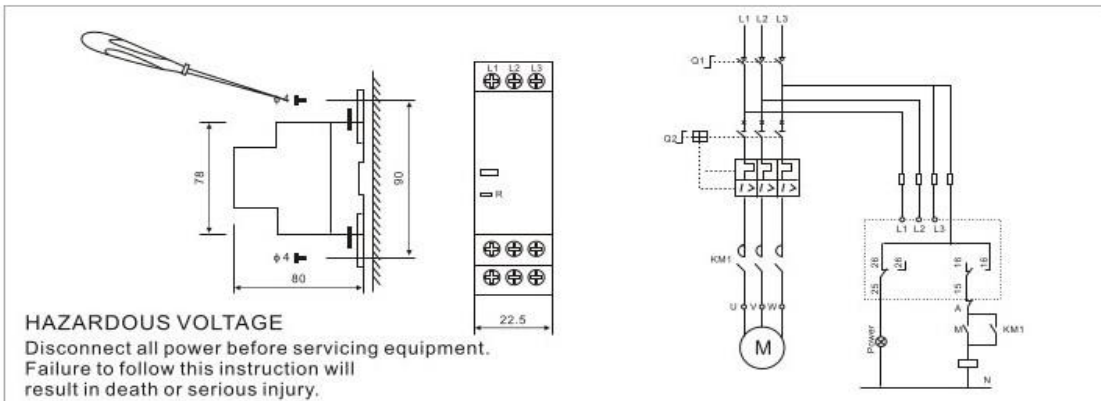
KZ4TG20

- ① Power input
- ② LED power type
- ③ LED signal correctly type
- ④ Relay control signal output

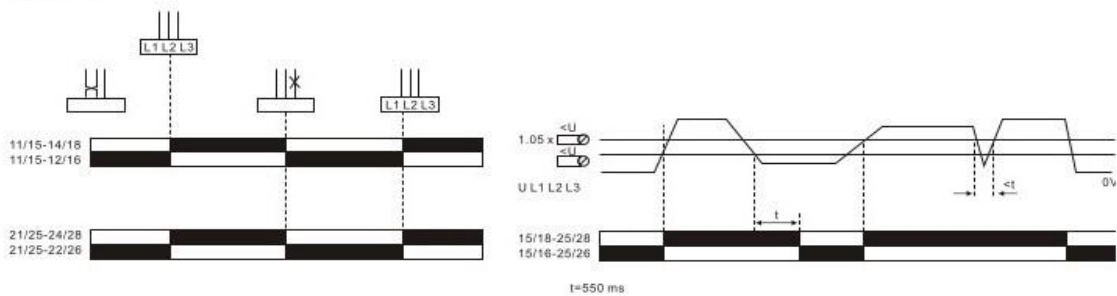


Installation and size dimension

Wiring diagram



KZ4TG20



A motor that continues to turn despite loss of a phase can regenerate a voltage if this voltage exceeds the sensing threshold, the relay will not detect phase loss.
In this case, we recommend use of KZ4TG20.

Operating diagram