

RELAYS: PHASE & VOLTAGE PROTECTING RELAY



Feature:

- ✓ Contact Configuration
- ✓ Universal Power supply
- ✓ 2 LED status indicators
- ✓ Only 17.5mm wide
- ✓ DIN rail mountable
- ✓ CE ROHs compliant

Function

	Type	Over voltage	Under voltage	Time delay	Phase sequence	Phase failure
Single phase	KT7011□	15%	15%	3S	-	-
	KT7111□	0-20%	0-20%	3S	-	-
	KT7211□	0-20%	0-20%	3S	-	-
	KT7311□	0-20%	0-20%	0.1-10S	-	-
Three phase	KT7010□	15%	15%	3S	✓	✓
	KT7110□	0-20%	0-20%	3S	✓	✓
	KT7210□	0-20%	0-20%	3S	✓	✓
	KT7310□	0-20%	0-20%	0.1-10S	✓	✓

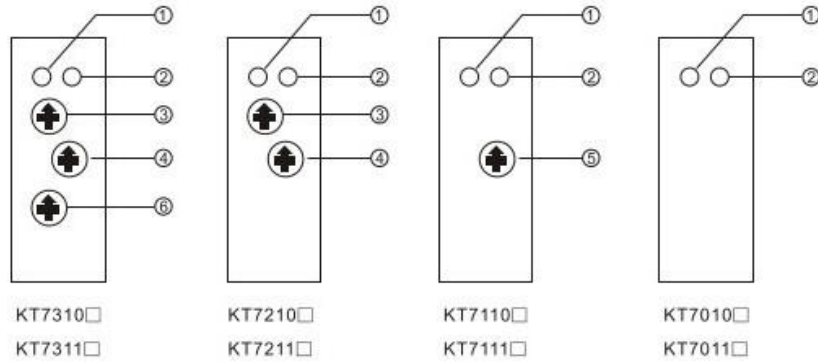
□: Operating Voltage:

220: AC220V **D24:** DC24V **A24:** AC24V **H00:** AC/12-240V More...

Technical Data

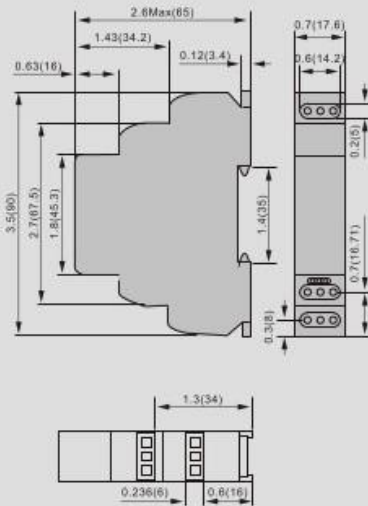
Item No.	Single phase	Three phase
Rated voltage	AC110V,220V,380V,415V,440V	AC220V,380V,415V,440V
Frequency	50/60Hz	
Response time of relay	Delay on :0.5S Delay off:3S	
Contact rating	AC-15:3A/250VAC	
Ith	5A	
Reset time	0.2 Sec Max	
Ambient temp	-10~+55°C	
Setting error	± 10% Max	
Repeat error	± 2% Max	
Voltage error	± 2% Max	
Temp.error	± 2% Max	

Model & Explanation

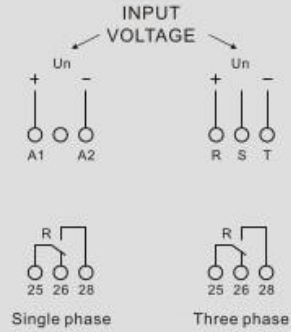


- ① Power indicator
- ② Work indicator
- ③ Over voltage setting
- ④ Under voltage setting
- ⑤ Over/Under voltage setting
- ⑥ Time for action delay

Dimensions



Wiring Diagrams



- 25 - Common
- 26 - Normally closed
- 28 - Normally open