

VARIABLE SPEED DRIVE (VSD): PUR900S SERIES MINI FREQUENCY INVERTER



Model no. PUR900S mini series www.puriwellglobal.com



Model no. PUR900S mini series www.puriwellglobal.com

Product Specification

Items	PUR900S	
Power Supply	Rated voltage, Frequency	One-phase/Three-phase AC 220V 50/60Hz; Three-phase AC 380V 50/60Hz
	Voltage Range	220V: 170V~240V; 380V: 330V~440V
	Voltage Range	220V: 0~220V; 380V: 0~380V
Output	Frequency Range	0.10~400.00Hz
	Control method	V/F control, Space vector control.
Indication	Operating status/Alarm definition/interactive guidance: eg, frequency setting, the output frequency/current, DC bus voltage, the temperature and so on.	
Control Specifications	Output Frequency Range	0.10Hz~400.00Hz
	Frequency Setting Resolution	Digital input : 0.01 Hz, analog input: 0.1% of maximum output frequency
	Output Frequency Accuracy	0.01Hz
	V/F Control	Setting V/F curve to satisfy various load requirements.
	Torque Control	Auto increase: auto raise torque by loading condition; Manual increase:enable to set 0.0~20.0% of raising torque.
	Multifunction Input Terminal	Six multi-function input terminals, realizing functions including fifteen section speed control, program running, four-section acceleration/deceleration speed switch, UP/ DOWN function and emergency stop and other functions
	Multifunction Output Terminal	2 multi-function output terminals for displaying of running, zerospeed, counter, external abnormality, program operation and other information and warnings.
	Acceleration/ deceleration Time Setting	0~999.9s acceleration/deceleration time can be set individually.
Other Functions	PID Control	Built-in PID control
	RS485	Standard RS485 communication function (MODBUS)
	Frequency Setting	Analog input:0 to 10V, 0 to 20mA can be selected; Digital input: Input using the setting dial of the operation panel or RS485or UP/ DOWN.
	Multi-speed	Six multifunction input terminals, 15 section speed can be set
	Automatic voltage regulation	Automatic voltage regulation function can be selected
Protection/ Warning Function	Counter	Built-in 2 group of counters
	Overload	150%, 60second (Constant torque)
	Over Voltage	Over voltage protection can be set.
	Under Voltage	Under voltage protection can be set.
Other Protections	Overheat ,output shortcircuit, over current, and parameter lock and so on.	
Environment	Ambient Temperature	-10°C to 40°C (non-freezing)
	Ambient Humidity	Max. 95% (non-condensing)
	Altitude	Lower than 1000m
	Vibration	Max. 0.5G
Structure	Cooling Mode	Forced air cooling
	Protective Structure	IP 20
Installation	Mode	Wall Mounted

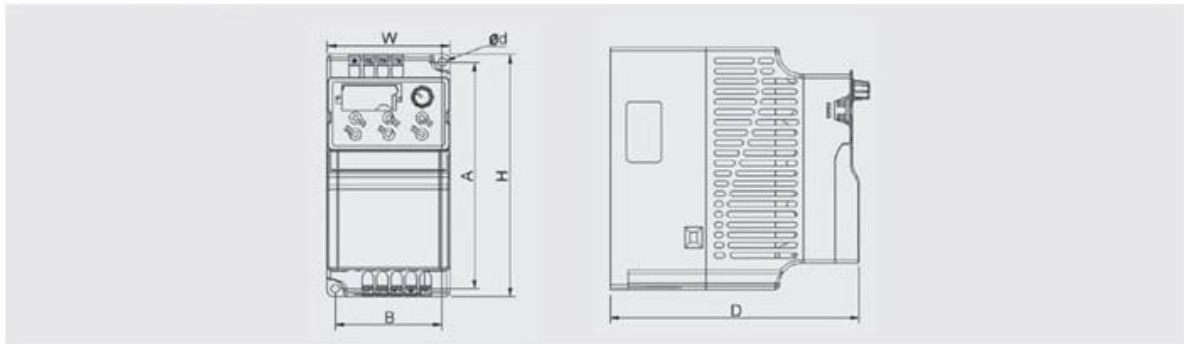
Specification

Unit: mm

Model	Rate output Power (kw)	Capacity (KVA)	Output Current (A)	Overload capacity (60s)(A)	Applicable motor (KW)
1PH AC220V ±15% 50/60Hz					
PUR-900-2S0.4GS	0.4	1	2.2	3.75	0.4
PUR-900-2S0.75GS	0.75	2	5	7.5	0.75
PUR-900-2S1.5GS	1.5	2.8	7	10.5	1.5
3PH AC380V ±15% 50/60Hz					
PUR-900-4T0.75GS	0.75	2.2	2.7	4.05	0.75
PUR-900-4T1.5GS	1.5	3.2	4	6	1.5
PUR-900-4T2.2GS	2.2	4	5	7.5	2.2
PUR-900-4T3.7GS	3.7	6.8	8.6	12.9	3.7
PUR-900-4T5.5GS	5.5	10	12.5	18.75	5.5
PUR-900-4T7.5GS	7.5	14	17.5	21	7.5
PUR-900-4T11GS	11	19	24	36	11
PUR-900-4T15GS	15	26	33	45	15
PUR-900-4T18.5GS	18.5	32	40	60	18.5
PUR-900-4T22GS	22	37	47	70.5	22
PUR-900-4T30GS	30	52	65	97.5	30
PUR-900-4T37GS	37	64	80	120	37

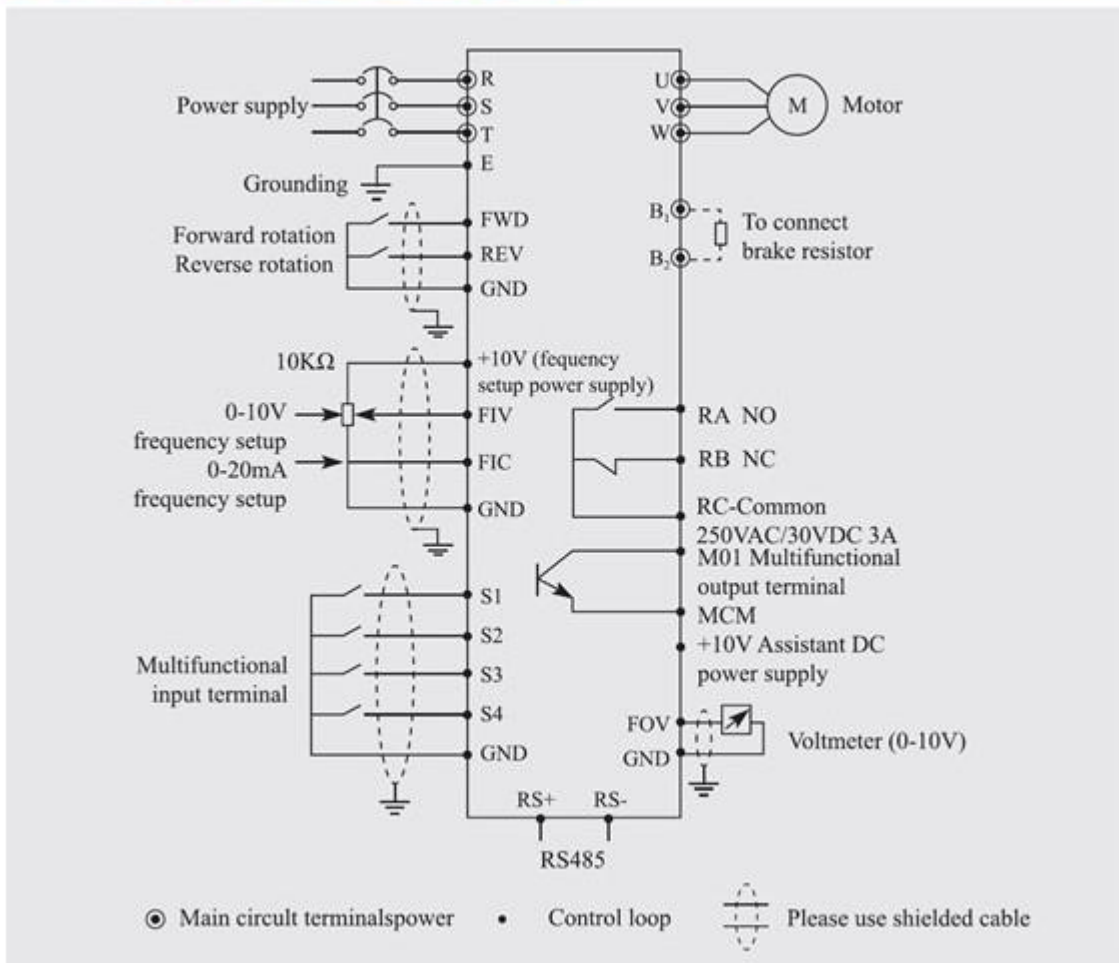
Dimension

Unit: mm



Model	Outline dimension (mm)			Installation size (mm)		
	W	H	D	A	B	Φd
PUR-900-2S0.4GS--S900-2S1.5GS	72.0	142.0	152	132.7	62.7	5
PUR-900-2S2.2GS--S900-2S3.7GS	100.0	183.0	143	173.0	90.0	5
PUR-900-2S5.5GS--S900-2S7.5GS	130.0	260.0	184	250	120	5
PUR-900-4T0.4GS--S900-4T2.2GS	72.0	142.0	152.0	132.7	62.7	5
PUR-900-4T3.7GS	100.0	183.0	143	173.0	90.0	5
PUR-900-4T5.5GS						
PUR-900-4T7.5GS	130.0	260.0	184	250	120	5
PUR-900-4T11GS						
PUR-900-4T15GS	195.0	280.0	179	266.0	182.5	7
PUR-900-4T18.5GS						
PUR-900-4T22GS						
PUR-900-4T30GS	245	425	193	410.0	180.0	7
PUR-900-4T37GS						

PUR900S Typical Wiring Diagram



Target Market

Food machinery-Feeder, mixer, bag filling machines, pastry forming machine...

Woodworking Machinery-Polishing machine, grinding machine, carving machine...

Textile Machinery-winding machine, fabric inspection machine...

Packaging Machinery-Liquid filling machine, pharmaceutical filling machine...

Other: Stone cutting machine...

Blowing machine, Water-pump-housetop/a fan to fill and exhaust gas, small

Pump for water supply

Printing equipment-offset

Conveyor belt-Small conveyor belt, common conveyor belt

Feeding equipment-Tool machine, winding machines, weaving machines equipment

Rubber and plastic industry-Sealing machine, various types of small machine

General business-Common household, air conditioning, automatic door